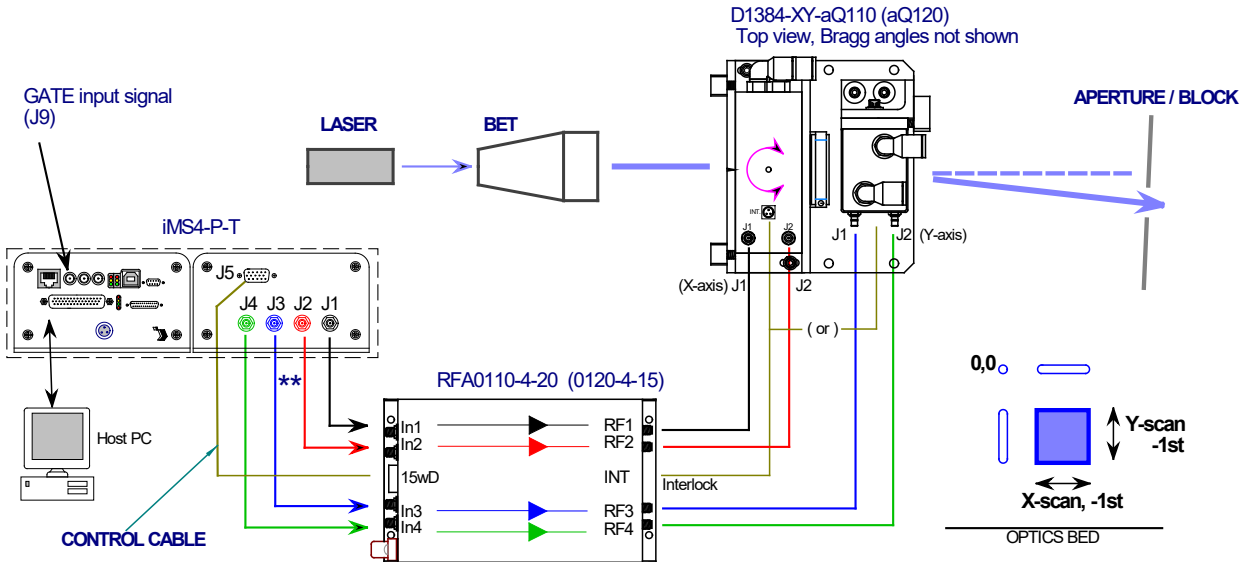


Dual Axis Deflector Bragg angle Orientations and RF Connection order.

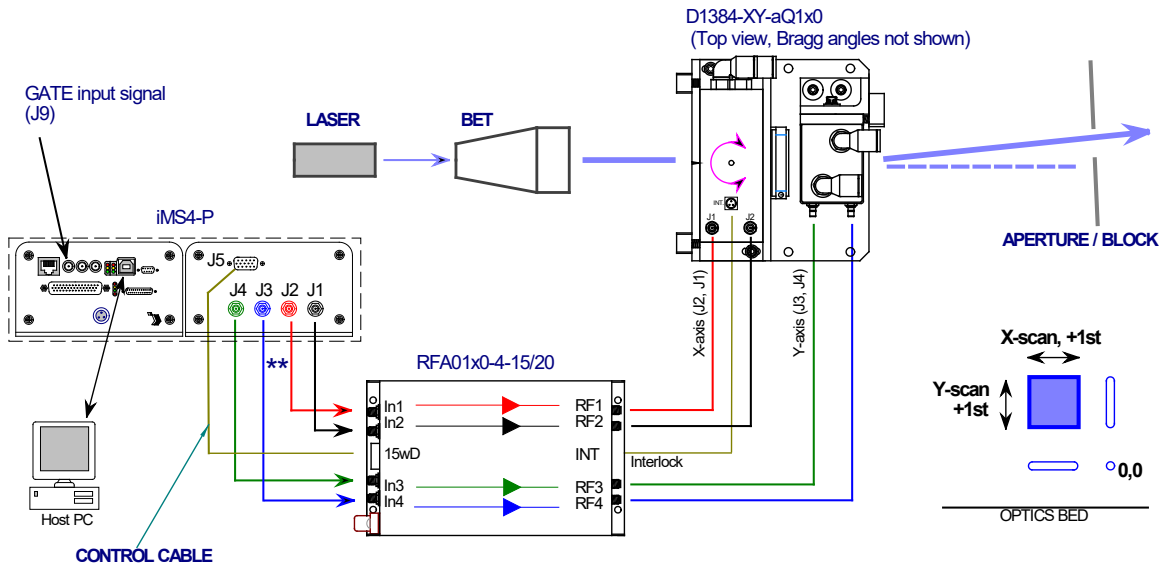
1: -1, -1 Bragg

XY Scan, -1, -1 orientation



2: +1, +1 Bragg

XY Scan, +1, +1 orientation



Note change in RF connections between IMS4 and RFA amplifier

3: +1, -1 and -1, +1 orientations are also possible with appropriate RF connection order.